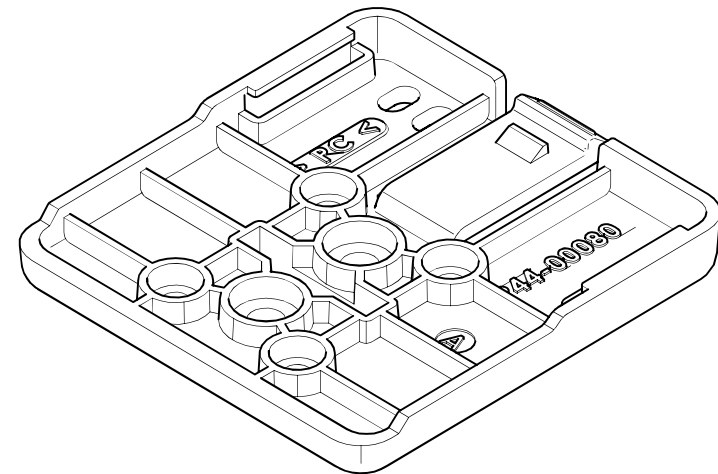


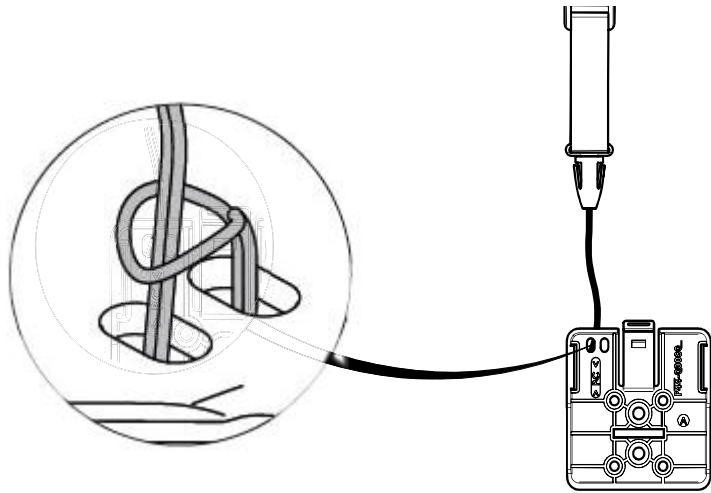
Installation Guide

SPMC122

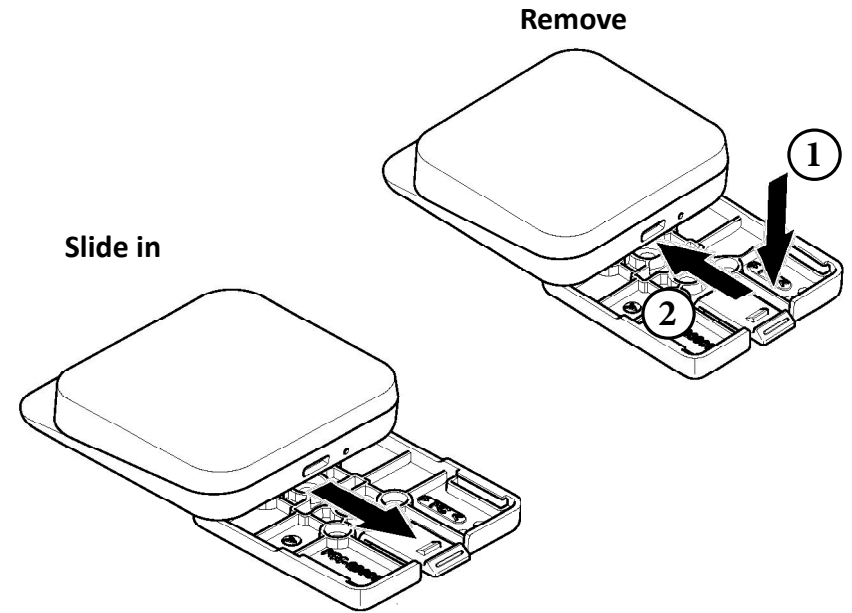
mCase for Stripe Reader M2



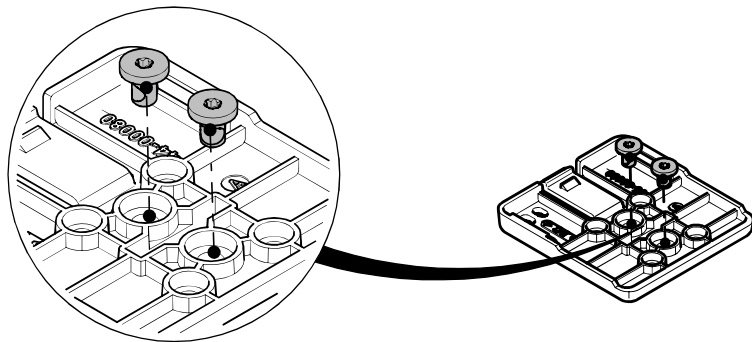
Attaching lanyard



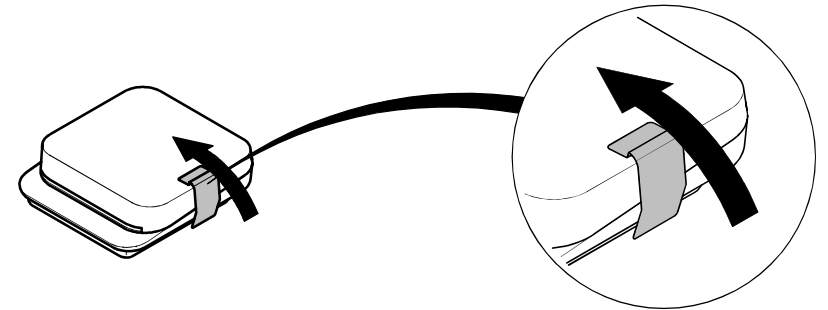
Slide in stripe reader/Remove stripe reader



Install mounting solution (Duratilt/Stack)



Apply Tamper Seal



Example image. Place the tamper seal in a suitable place to discourage tampering!